

A :: TOP VIEW

001

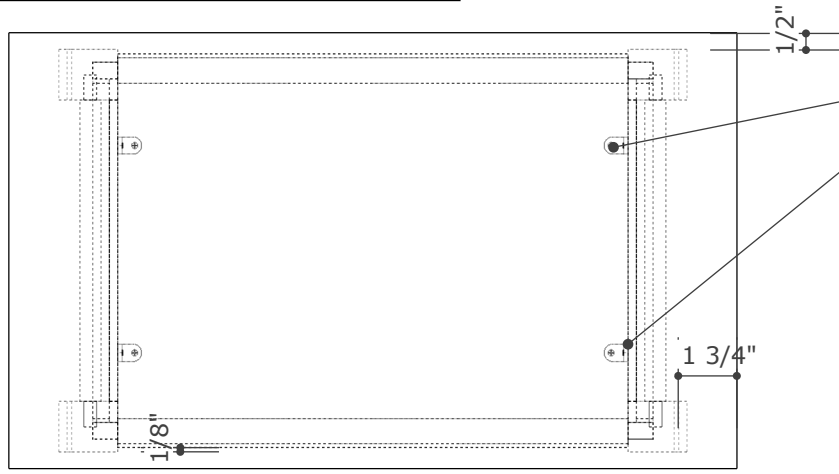
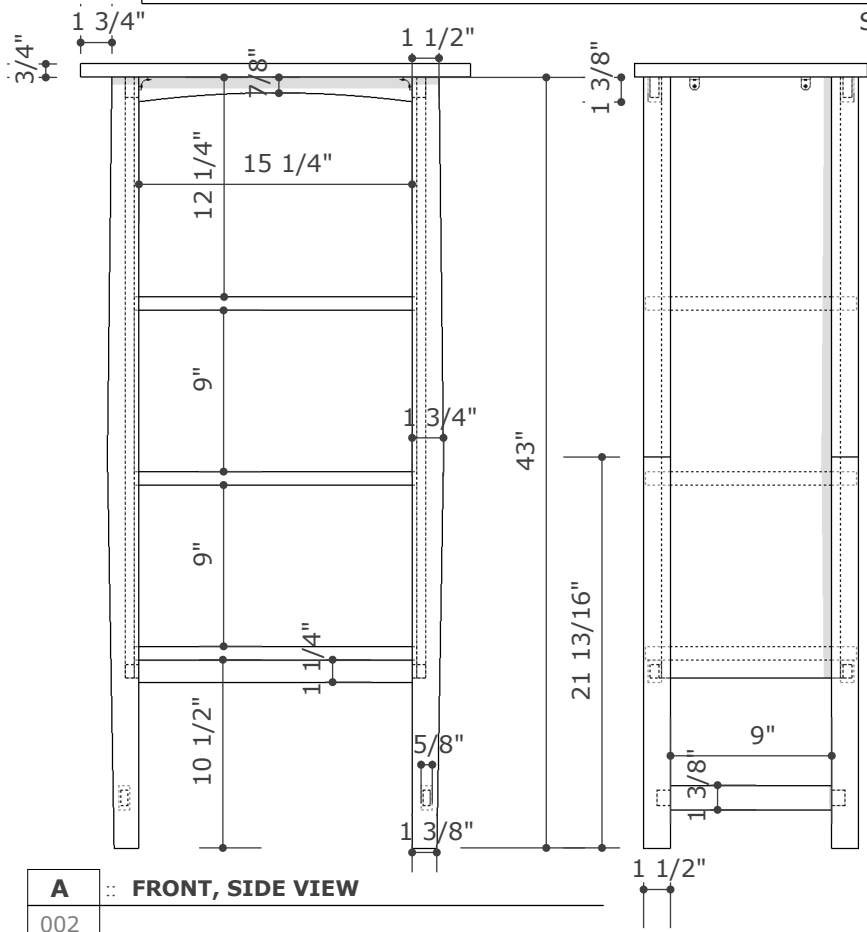


TABLE IRONS SPECIFIED FOR FASTENING TOP

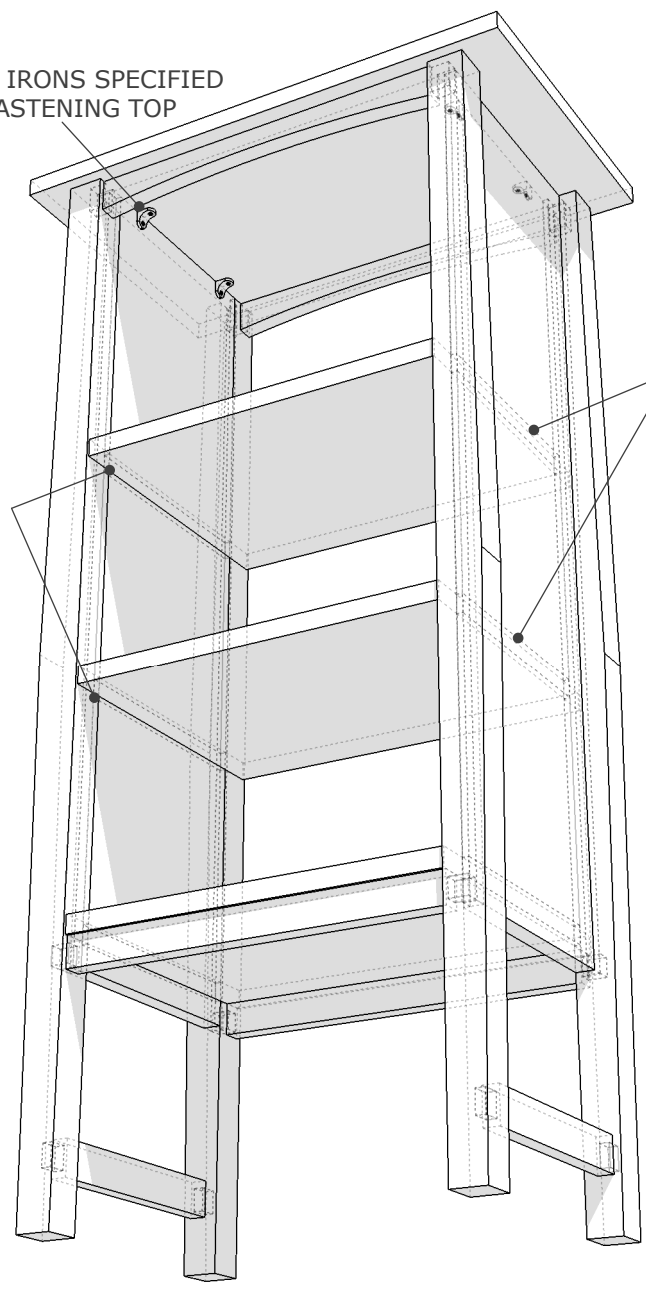
EDGE OF SHELF HOUSED IN 1/4" DEEP DADO

SHELVES NOTCHED AROUND LEGS



A :: FRONT, SIDE VIEW

002



HIGHLAND
WOODWORKING